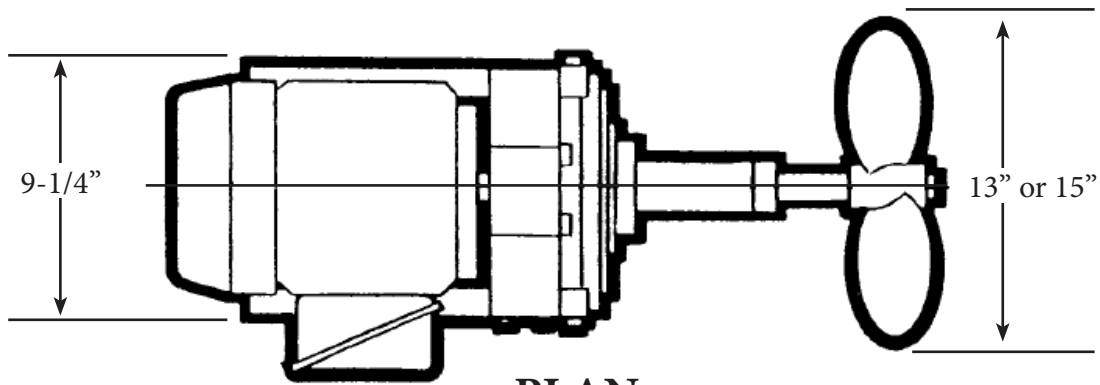
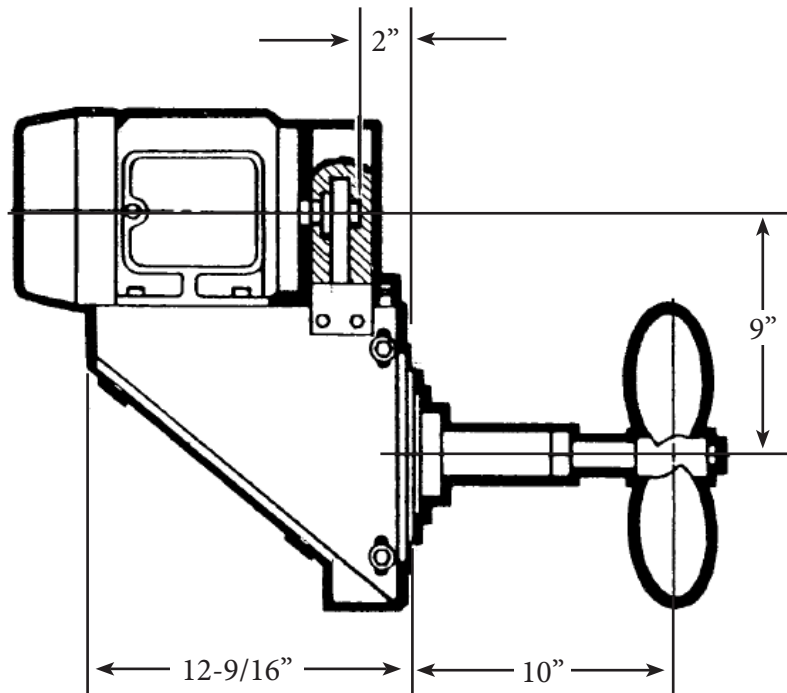


LEASE TANK MIXER MODEL 401 DIMENSIONS

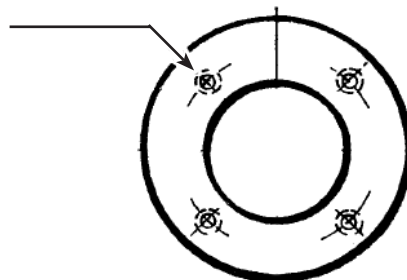


PLAN



ELEVATION

4 HOLES 1/2-13 NC
90° APART ON
5-3/4" B.C.



1" PLATE, 7-5/8" O.D., 4" I.D.

NOZZLE

NOTE:
NOZZLE AND GASKET ARE
SUPPLIED WITH EACH MIXER. SEE
DRAWING 5CA FOR INSTALLATION

Tulsa, Oklahoma

Jensen
MIXERS
Est. 1950

CUT SHEET 5CF

Made in
America